



**Sivananda  
Electronics**

An ISO 9001:2008 Company

## Retractable Flap Barrier (RB Series)

For Pedestrian, People with reduced mobility  
& Service Personnel

### Features

- Opening time: Less than 1 sec
- Retractable doors for quick opening & closing.
- Prudent & luxurious design that fits with any type of prestigious entry hall.
- Long lifecycles & low operating cost.
- Close mode of operation / Normally Open(optional).
- Opto-isolated inputs & outputs for interfacing external device.
- Mechanical & electronic locking in the event of fraudulent entry.
- The RB series is equipped with bi-directional throughput feature, made especially for quick access control in areas with high traffic but limited space.

### Common Specification

- » Powerful, lasting & Low maintenance DC brushless Motor.
- » Drive Controller ensures safe movement.
- » Micro controller based operation.
- » Internal battery back up in event of emergency/ power failure.
- » Standard Lane : 520 mm Wide Lane : 900 mm
- » Low Operating cost & Long Lifecycle



Security



Reliability



Safety



Less Power  
Consumption



Quality

### Technical Specification

Power Supply	230 V AC
Control Circuit	24 V DC
Nominal Consumption	75W ( Peak-100 W)
Capacity/Minute	20 persons
Ambient Operating Temperature	0° to +50° C



### Applications

Banks, Insurance & I.T companies,  
Corporate Offices .  
Govt Buildings & Institutions.  
Universities & Colleges

### Integration

Retractable Flap barrier can be easily integrated with Proximity Reader, Smart Reader, Finger Print Reader based biometric or any other Access Control system.

### Installation

Housing is fixed to a structural floor & will not require support from sidewalls or ceilings. Fixing is normally by means of expanding bolts (Anchor bolts) into structural concrete base.

### Optional

- » Crawling Sensor
- » Jump detection sensor
- » LED illuminated Flap



Models	Material	Sensors		Passage Width
		Safety	Tailgate	
RB-1S	S.S	✓		520mm
RB-1	M.S	✓		520mm
RB-2S	S.S	✓		900 mm
RB-2	M.S	✓		900 mm
RB-1STG	S.S	✓	✓	520mm
RB-1TG	M.S	✓	✓	520mm
RB-2STG	S.S	✓	✓	900 mm
RB-2TG	M.S	✓	✓	900 mm
RB-1S[250]	S.S	✓	✓	500 mm
RB-1STG-NO [Normally Open]	S.S	✓	✓	520 mm
RB-1TG-NO [Normally Open]	M.S	✓	✓	520 mm

\* **M.S** - Mild Steel

**S.S** - Stainless Steel

**Standard Lane** - 520 mm

**Wide Lane** - 900 mm

### Housing Material

The housing is made of heavy-gauge Mild Steel sheet metal (Model RB-1 / RB-2) & epoxy powder coated with dark grey, Siemens grey. Optional colors are also available on request if required. Stainless Steel housings (Model RB-1S / RB-2S) are also available in 304 grade with Matte/Mirror finish. The retractable flap barrier is made from 18/19 mm opaque (clear is optional) acrylic or polycarbonate(optional).

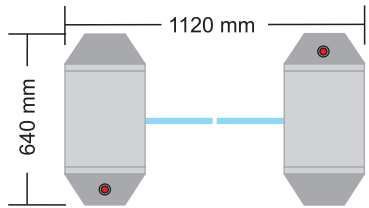
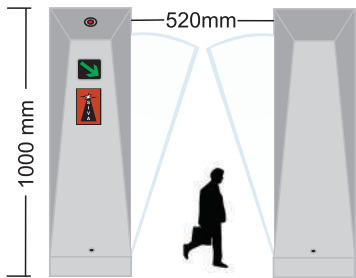
## Sivananda Electronics

Deepak Mahal, Lam Road,  
Deolali, 422401,  
Nasik, Maharashtra, India.  
Tele: +91-253-2491504/816/423  
Fax: 02532492291

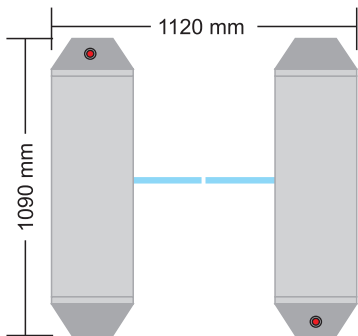
**Visit Us at [www.sivanandaelectronics.com](http://www.sivanandaelectronics.com)**

**E-mail: [sales@sivanandaelectronics.com](mailto:sales@sivanandaelectronics.com)**

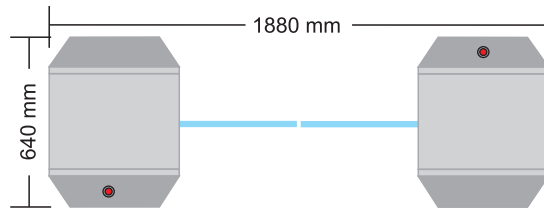
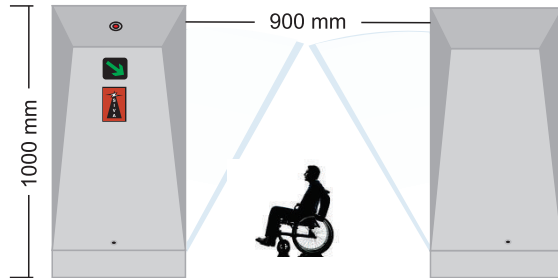
RB-1S/1



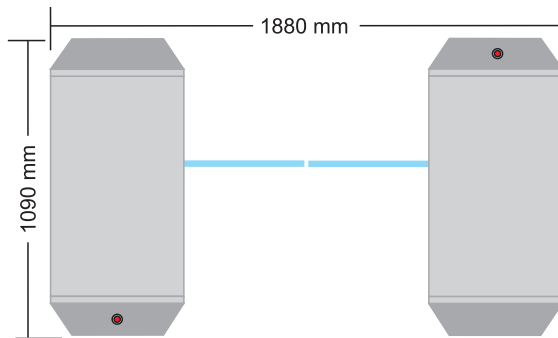
RB-1STG/1TG



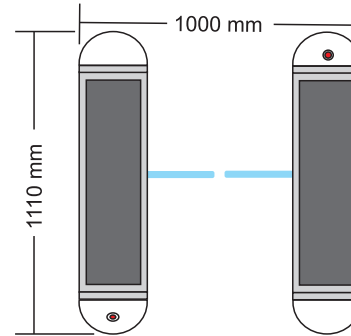
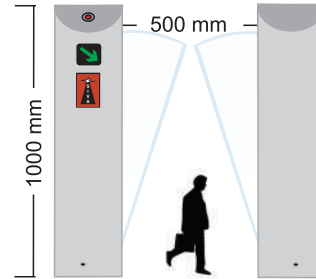
RB-2S/2



RB-2STG/2TG

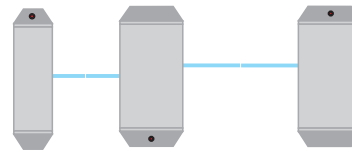


RB-1S(250)



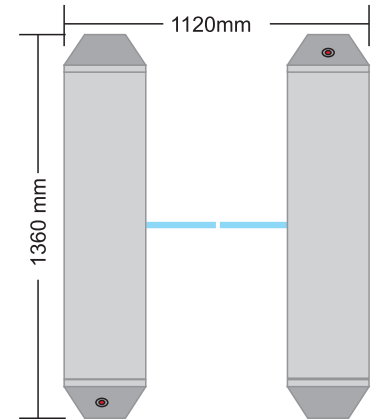
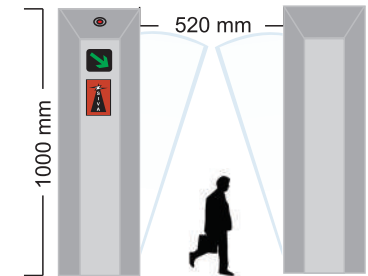
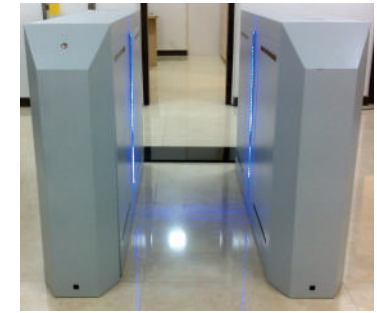
**Configuration**

RB Series is a modular product .  
It can be installed as a single or a  
multi lane array of RB-1's combined  
with RB-2's.  
(For pedestrian with reduced mobility)



RB-1STG-NO [Normally Open]

RB-1TG-NO [Normally Open]



» Tailgate detection Sensors, Set of 2 Array  
(6 optical beam Sensors in each) on either  
side Safety Sensor set of 2 Sensors on either  
side .

