

G 4000

4 m

12 ft

G 2500

2,5 m

8 ft

## Automatic parking barriers

### G 4000 / G 4001

The automatic FAST barrier for passages up to 4 m [12ft], with an extra feature: the power supply at 24V.

Essential for passages of intensive use, the low voltage technology allows you to obtain maximum efficiency with control features and complete safety.

#### • A complete automation

All the essential components for operation even in the event of BLACK OUT are assembled inside the structure: in addition to the motor and the command logic, the **G 4000** is designed to house the optional emergency batteries

#### • Reliability and duration even in the presence of strong atmospheric agents

The structure of the GARD systems is made entirely from galvanized steel with a polyester powder-based **RAL 2004** paint finishing. For applications in **areas subject to strong corrosive agents**, such as smog and salinity, the G 4001 version is available in **glazed stainless steel** for a lasting working life.

Also for **areas subject to strong winds**, CAME has designed the GARD systems so that they can be fitted with a **tubular arm**.



#### • Self Locking Mechanism

All the versions in the **GARD series** feature self-locking gears that **lock the arm** both in the open and closed positions. In case of power failure the arm can be raised or lowered manually, without opening the cabinet, thanks to a lock mechanism situated outside the cabinet.

#### • A versatile automation

The possibility of installing keypads or key switches, photocells and safety flashers **directly on the cabinet of the barrier** simplifies the installation and reduces the cost of the system, as well as accepting inputs from any access control system: radio transmitter, card reader, telephone entry or safety device loops or photocells



#### • Main safety features

The electronic control panel, with its adjustment system, allows:

- the adjustment of the speed;
- the adjustment of the approach speed;
- the detection of an obstacle thanks to the inherent obstacle detection device system, that provides for the immediate reversal or stop of the movement.

But an automatic system at 24V DC means above all **a system operating in complete safety**.

The motor and all the command and safety accessories are completely powered at 24V DC in direct current.



### G 2500

The simplified version at 230V (120V) for fast passages

**G 2500** is the fast barrier in the GARD series for passages **up to 2.5 m [8ft]**. The most simple automation solution to adopt. The ideal selection for small passages for private and small condominium use.

As for all the models in the GARD series, G 2500 can be fitted with the **low ceiling folding arm articulation** for applications inside buildings and when ceilings are present.

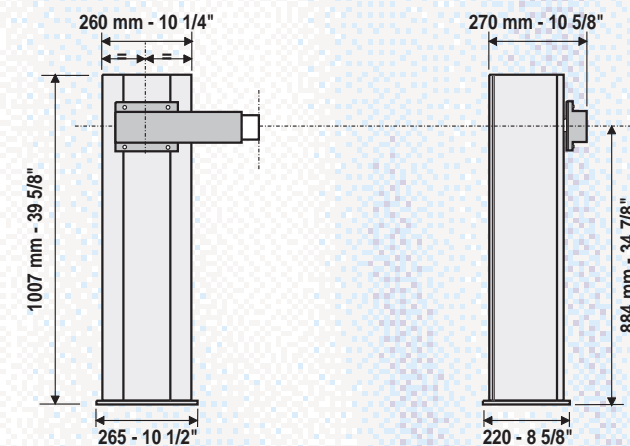
### Technical characteristics

Type	G 4000 / G 4001	G 2500
Class of Operation	II, III, IV	II, III, IV
Protection level	IP54 (NEMA 3)	IP54 (NEMA 3)
Weight	47 Kg [104 Lbs]	39,5 kg [87 Lbs]
Power supply	120/230VAC, 24VDC	120/230VAC, 24VDC
Motor power supply	24VDC	120/230VAC
Current Draw	1,3A:230V [2,6A:120V] 15A:24VDC	1A:230V [2A:120V]
Motor power	300W	120W
Operative intermittence	intensive operation	30%
Torque	200 N.m.[1770 in-Lbs]	70 N.m. [620 in-Lbs]
Opening time	2-6 sec	2 sec

### General indications for use

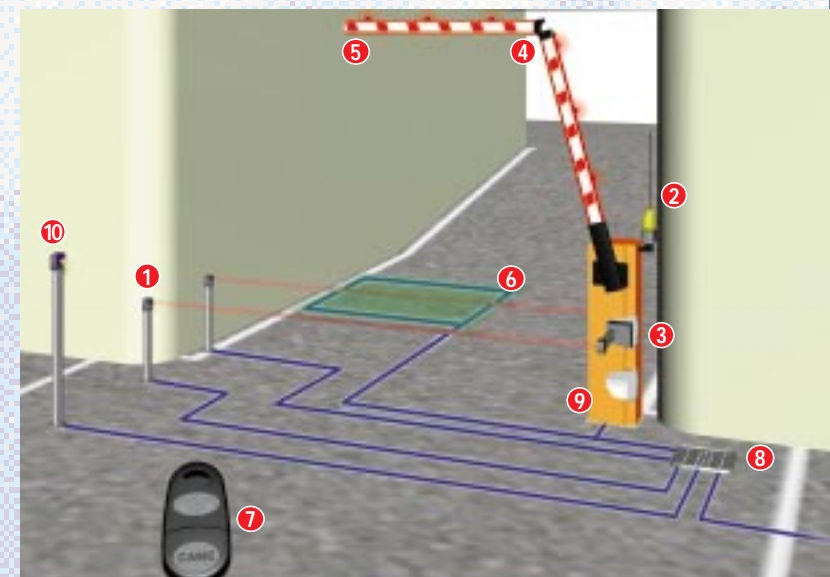
Type	G 4000 / 1	G 2500
Arm without accessories	4 m Max. [12ft]	2.5 m Max [8 ft]
Arm with rubber, lights	3.5 m Max. [12.5ft]	-
Arm with moveable base or rack	3 m Max. [9.8ft]	-
Arm with rubber, lights + rack or moveable base	2.5 m Max. [8 ft]	-

### Size measurements



### Typical Installation

- 1 • Post H= 0.5 m [20"]
- 2 • Flashing lamp
- 3 • Fixing support
- 4 • Folding Arm articulation
- 5 • Safety photocell
- 6 • Antenna
- 7 • Safety photocell
- 8 • Aluminium arm
- 9 • Signalling lamps
- 10 • Reflective tape
- 1 • Rubber bumper strip
- 2 • Magnetic loop sensor
- 3 • Transmitter
- 4 • Junction box
- 5 • G 4000 unit
- 6 • Control board
- 7 • Radio receiver
- 8 • Emergency batteries
- 9 • Keypad
- 10 • Key switch
- 1 • Magnetic key reader
- 2 • Column H= 1 m. [39.5"]





## Automatic parking barriers

### G 6000 / G 6001

The G 6000 series is suitable to cover passages up to a maximum of 6.5 metres [21ft], a selection typical of industrial and gated communities.

Same as with the other versions in the GARD series, the G 6000 features the advantages of the CAME automatic systems with a low voltage motor, combining high reliability with extreme safety.

#### • A complete automation

All the components essential for operation even in the event of POWER FAILURE are assembled inside the structure. In addition, to the motor and the command logic, the G 6000 is designed to house the optional emergency batteries.

#### • Reliability and duration even in the presence of strong atmospheric agents

The structure of the GARD systems is made entirely from galvanized steel with a polyester powder-based RAL 2004 paint finishing. For applications in areas subject to strong corrosive agents, such as smog and salinity, the G 6001 version is available in glazed stainless steel for a lasting working life. Also for areas subject to strong winds, CAME has designed the GARD systems so that they can be fitted with a tubular arm.



#### • Main safety features

The electronic control panel, with its adjustment system, allows:

- the adjustment of the speed;
  - the adjustment of the approach speed;
  - the detection of an obstacle thanks to the inherent obstacle detection device system, that provides for the immediate reversal or stop of the movement;
  - the connection of photocells or safety loop sensors
- But an automatic system at 24V means above all a system operating in complete safety.

The motor and all the command and safety accessories are completely powered at 24 V.D.C.



#### • A versatile, automatic system

- Protective shock resistant bumper rubber;
- Intermittent signalling lamps;
- fixed and moveable bar bases;
- racks;
- folding arm articulation;
- supports for mounting photocells and flashing lamps.

These are just some of the specific accessories for automatic barriers, designed to offer the appropriate service to all types of application requirements. They also simplify the installation and reduce the costs of the system, as well as accepting inputs from any access control system: radio transmitter, card reader, telephone entry or safety device loops or photocells.



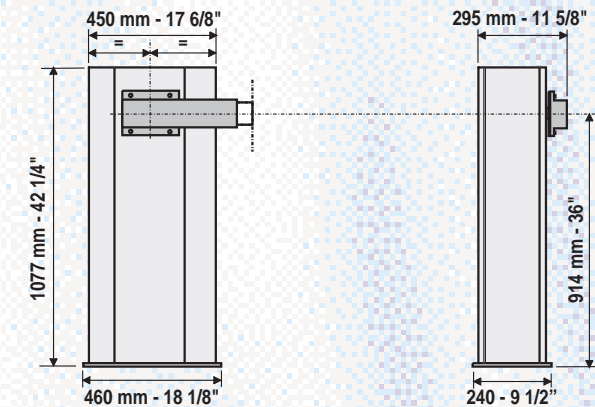
### Technical characteristics

Type	G 6000 / G 6001
Class of Operation	II, III, IV
Protection level	IP54 (NEMA 3)
Weight	72 kg [159Lbs]
Power supply	120/230VAC, 24VDC
Motor power supply	24VDC
Current Draw	1.3A:230V [2.6A:120V] 15A:24VDC
Motor power	300W
Operative intermittence	intensive operation
Torque	600 N.m. [5310 in-lbs]
Opening time	4-8 sec

### General indications for use

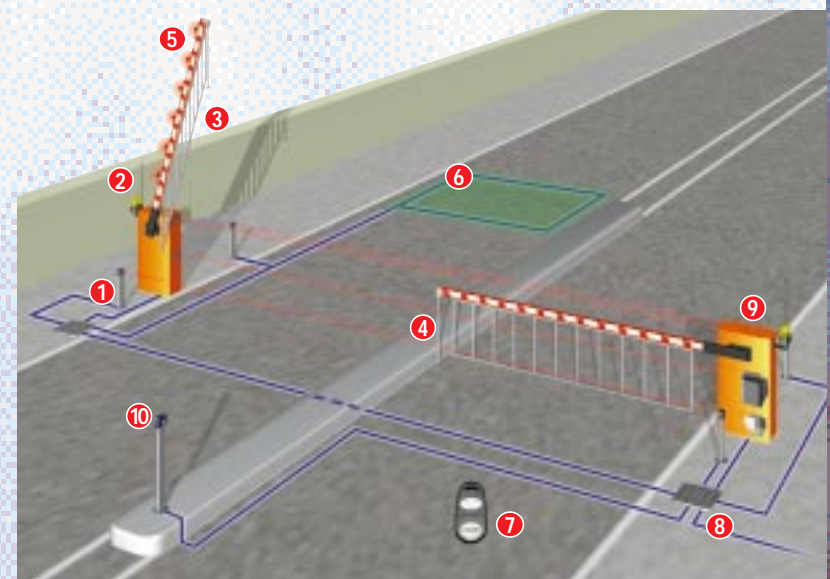
Type	G 6000 / 1
Arm without accessories	6,5 m Max. [21ft]
Arm with rubber, lights	6 m Max. [19.5ft]
Arm with moveable base or rack	6 m Max. [19.5ft]
Arm with rubber, lights + rack or moveable base	6 m Max. [19.5ft]
Arm with rack + base or moveable base	6,5 m Max. [18ft]
Arm with rubber, lights + rack + moveable base	5 m Max. [16ft]

### Size measurements



### Typical Installation

- 1 • Column H= 0.5 m
- 2 • Safety photocell
- 3 • Flashing lamp
- 4 • Antenna
- 5 • Fixing support
- 6 • Morack
- 7 • Moveable base
- 8 • Aluminium bar
- 9 • Signalling lamps
- 10 • Phosphorescent strips
- 1 • Protective rubber
- 2 • Magnetic detection sensor
- 3 • Transmitter
- 4 • Branch pit
- 5 • G 6000 unit
- 6 • Control board
- 7 • Radio receiver
- 8 • Emergency batteries
- 9 • Code switch / Key switch/ Magnetic key reader
- 10 • Column H= 1 m





## Automatic street barriers

### G 12000

CAME RELIABILITY AT ITS GREATEST

G 12000 is the special barrier for passages up to 12 metres wide [39ft] . An automation solution for passages of exceptional size that completes the range of products offered by CAME.

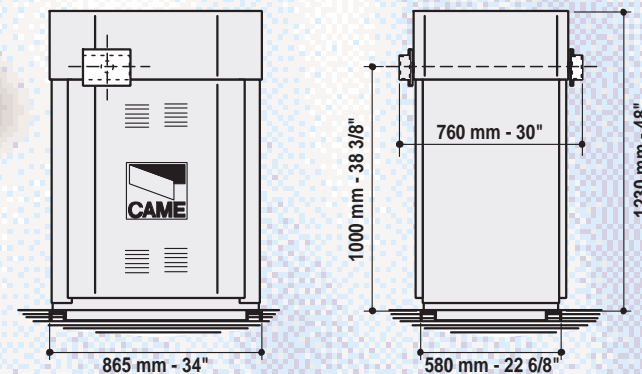


- Given the type of applications, the **G 12000** automation system has a **command logic of the newest generation** that provides all the safety functions such as: **electronic obstacle detection** (immediate stop of the movement in this case).
- Intensive use operation, even in emergency situations such as power failure. Similar to all other models in the GARD series, the **G 12000** can be placed beside a second barrier to **manage separate entrances and exits** or even for master slave operation.

#### Technical characteristics

Type	G 12000
Class of Operation	II, III, IV
Protection level	IP54 (NEMA 3)
Weight	783 Kg [1723 in-Lbs]
Power supply	120VAC/230VAC/24VDC
Motor power supply	24VDC
Current Draw	15 A (24V)
Motor power	300W
Operative intermittence	intensive operation
Torque	600 N.m [5310 in-Lbs]
Opening time	10 sec

#### Size measurements



## GARD series control boards

#### Construction features and use limits

Type	G 2500	G 4000	G 6000	G 12000
Power supply	230/120VAC	230/120VAC 24 AC. D.C.	230/120VAC 24 AC. D.C.	230/120VAC 24 AC. D.C.
Motor power supply	230/120VAC	24 AC. D.C.	24 AC. D.C.	24 AC. D.C.
Frequency	50 - 60 Hz	50 - 60 Hz	50 - 60 Hz	50 - 60 Hz
Casing in ABS with protection level	IP 54 (NEMA 3)	IP 54 (NEMA 3)	IP 54 (NEMA 3)	IP 54 (NEMA 3)
Operating temperatures	-4F / 158F	-4F / 158F	-4F / 158F	-4F / 158F
Amperometric sensor	no	yes	yes	yes
Command logic and microprocessor control	no	yes	yes	yes
Dip-switch for selection of command and safety functions	no	yes	yes	yes
Incorporated radio decoding	no	yes	yes	yes
Radio-frequency boards can be coupled	with RBI	all	all	all
Protection of the circuit input with fuse	yes	yes	yes	yes
Possibility to connect accessories	20 W max	40 W max	40 W max	40 W max
Protection of the circuit from excess voltages (suppressors)	no	yes	yes	yes
Protection of the relay contacts with anti-sparking system	no	yes	yes	yes
Fitting for connection of battery charger	no	yes	yes	yes

#### Operating features

Type	G 2500	G 4000	G 6000	G 12000
Output for connection of flashing lamp	yes	yes	yes	yes
Output for connection of antenna	yes	yes	yes	yes
24V power supply outlet signalling barrier in movement and in closing position	no	yes	yes	yes
Output for connection of lamp signalling barrier open	yes	yes	yes	yes
Contact outlet for second radio channel	with RBI2	no	no	no
Extractable and numbered plug-in connection terminal boards	no	yes	yes	yes
Self-learning of the code from transmitter to receiver	with RBI 1-2	yes	yes	yes
LED signalling failure of the safety contacts	no	yes	yes	yes
Adjustable timer to close with TCA trimmer	yes	yes	yes	yes
Soft stop micro switches	no	yes	yes	yes
Soft stop during opening and closing	no	yes	yes	yes
Speed Adjustment	no	yes	yes	no

#### Safety functions

Type	G 2500	G 4000	G 6000	G 12000
Preflashing function during opening and closure	yes*	yes	yes	yes
Reopening during closure	yes	yes	yes	yes
Total stop	yes	yes	yes	yes
Obstacle detection at end of limit	no	yes	yes	yes
Reversal of movement upon detection of an obstacle	no	yes	yes	yes

\* only during closure

#### Command functions

Type	G 2500	G 4000	G 6000	G 12000
Input for connection of Opening only pushbutton	yes	yes	yes	yes
Input for connection of Closing only pushbutton	yes	yes	yes	yes
Input for connection of Opening/Closing/ reversal pushbutton	yes	yes	yes	yes
Man Present operation	yes	yes	yes	yes